

# HDA24

## HIGH DEFINITION LINE ARRAY SYSTEM



- Dual 8" LF Neodymium in Vented Enclosure
- 1,4" Titanium Driver (3" VC) on Wave Guide
- Fly Mounting Hardware Included
- Powering Mode: 2-Way with external Digital Processor and External Amplifier
- On request Full Range with Passive Crossover
- For Touring or Fixed Installation

### Product Information

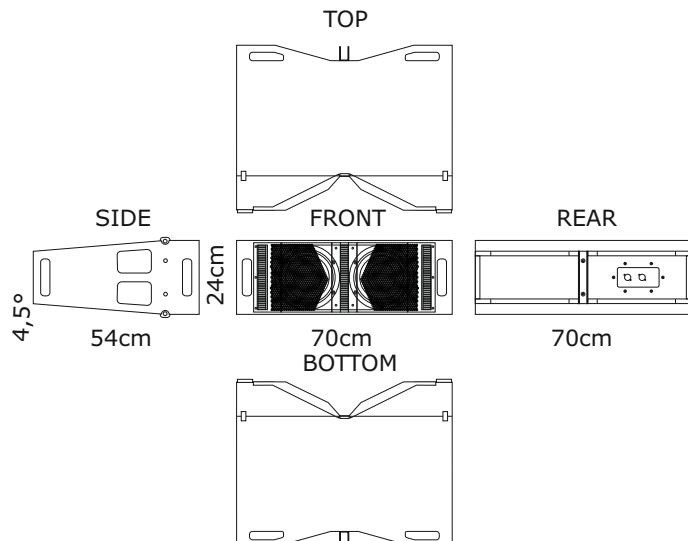
2-WAY loudspeaker system provides higher output, lower distortion sound reinforcement for the entire range of pro audio application. The 200 mm (8") low frequency cone with 51 mm (2") voice coil with Neodymium magnet and 75 mm (3") voice coil high frequency compression driver provides higher output and low distortion plus enhanced power handling capabilities for better performance in both touring and permanently installed applications. HDA24 is designed specifically for vertical curvilinear array.

### Data Sheet

Frequency Response	±3 dB 50 Hz ~ 18 KHz -10 dB 45 Hz
Sensitivity (1 Watt @ 1 m)	LF 96 dB HF 103 dB
Max SPL Calculated (Power AES) [PEAK]	LF 123 dB [128 dB] HF 123 dB [126 dB]
Nominal Input Impedance (Ω)	LF 16 Ω HF 16 Ω
Power Handling (Watts Cont. AES)	LF 600 W [1600 W] HF 110 W [220 W]
Nominal Dispersion (@ -6 dB)	120° (H) x 9° (V)
Dimensions mm (±1 mm) (H x W x D)	240 x 700 x 540 with Hardware
Weight	23 Kg

### Enclosure Material

- Enclosure Material: Birch Plywood of 15 mm
- Finish: Texture Polyurethane Black Paint
- Suspension: Fly Mounting Included
- Grille: Powder Coated Perforated Steel with anti-dust foam
- Connectors: 2 Neutrik NL4 Speakon
- Optional Accessories: Flight Case for 4 HDA24, Skate & Bag,



ARRAY SYSTEMS | INSTALL | TOURING