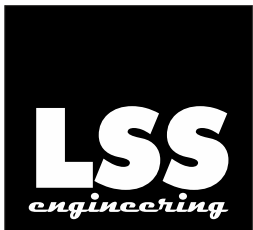


CINEMA SPEAKER APPLICATION

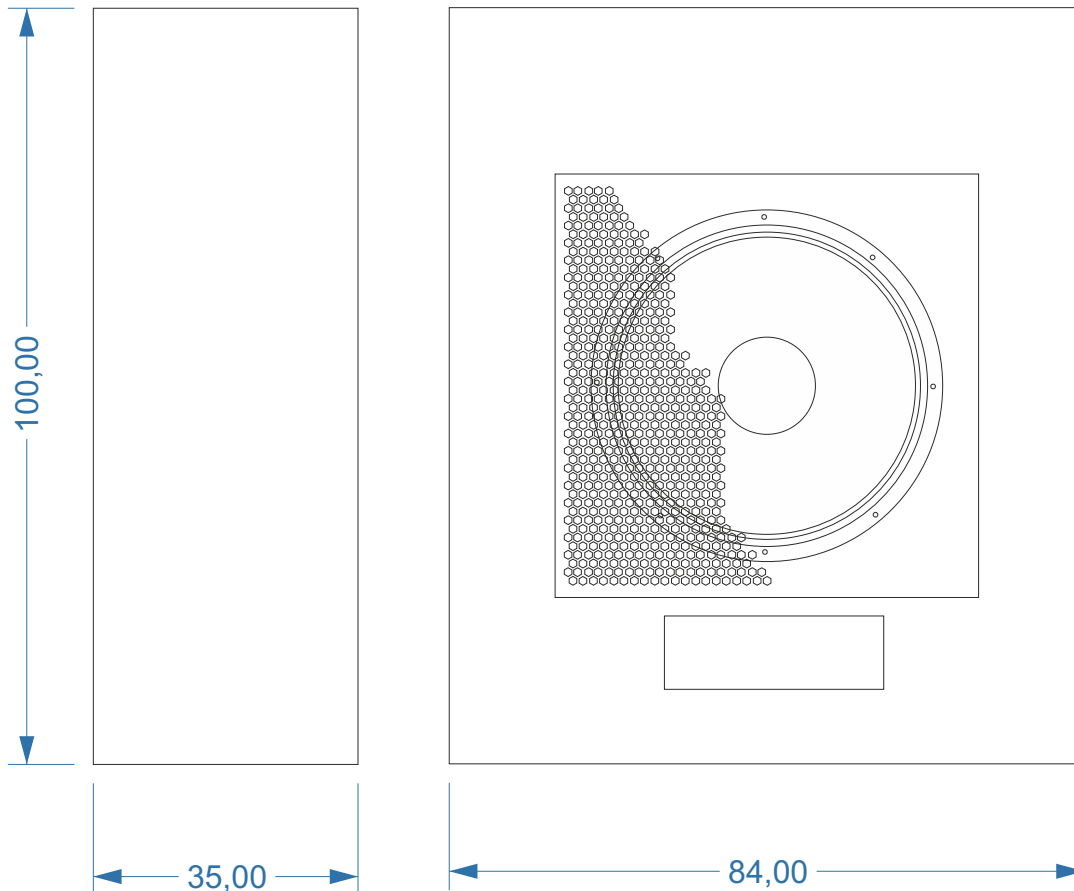
LSS
engineering



SRS18

SUB WOOFER CINEMA SYSTEM

Rear Screen channel cinema sound system especially designed for subwoofers application



LSS SRS18 is a new innovative Cinema Rear Screen Sub woofer System that uses a new Custom Speaker Sub Woofer of longer four layer aluminum voice coil. The result is less heat, more energy in the gap, higher sensitivity, higher power handling, lower distortion and better overall performance. The Voice Coil is of 4 inch diameter (100mm) of Copper Clad Aluminum Wire. With a 1500watt AES power rating, 98 dB sensitivity, and over 140mm excursion, this high performance subwoofer is a significant step forward from other models of professional audio market.

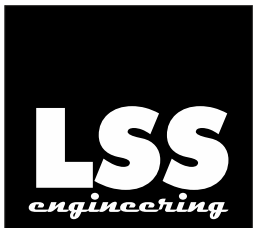
TECHNICAL DATA

Frequency Range (-10 dB)	30 Hz- 500 Hz
Nominal Impedance	8 Ω
Nominal Power Handling ⁽¹⁾	1500 W
Continuous Power Handling ⁽²⁾	3000 W
Sensitivity 1W/1m	98 dB S.P.L.
Crossover Frequency	80-100 Hz recomended
Dimensions (H x W x D)	100 x 84 x 35 cm
Net Weight	41.5 kg

COMPONENTS

Cabinet	18mm Birch PLYWOOD
Loudspeaker 18"	4"(100mm) voice coil

(1) 2 hours test made with continuous pink noise signal within the range Fs-10Fs. Power calculated on rated mininum impedance. Loudspeaker in free air
(2) Power on Continuous Program is defined as 3 dB greater than the Nominal rating.



LCR15

LCR MAIN CINEMA SYSTEM

Rear Screen LCR channel cinema sound system especially designed for front application

LSS LCR15 is a two-way high performance speaker systems especially designed for the screen channel in small/medium size cinema hall with very short space available between screen and rear wall.

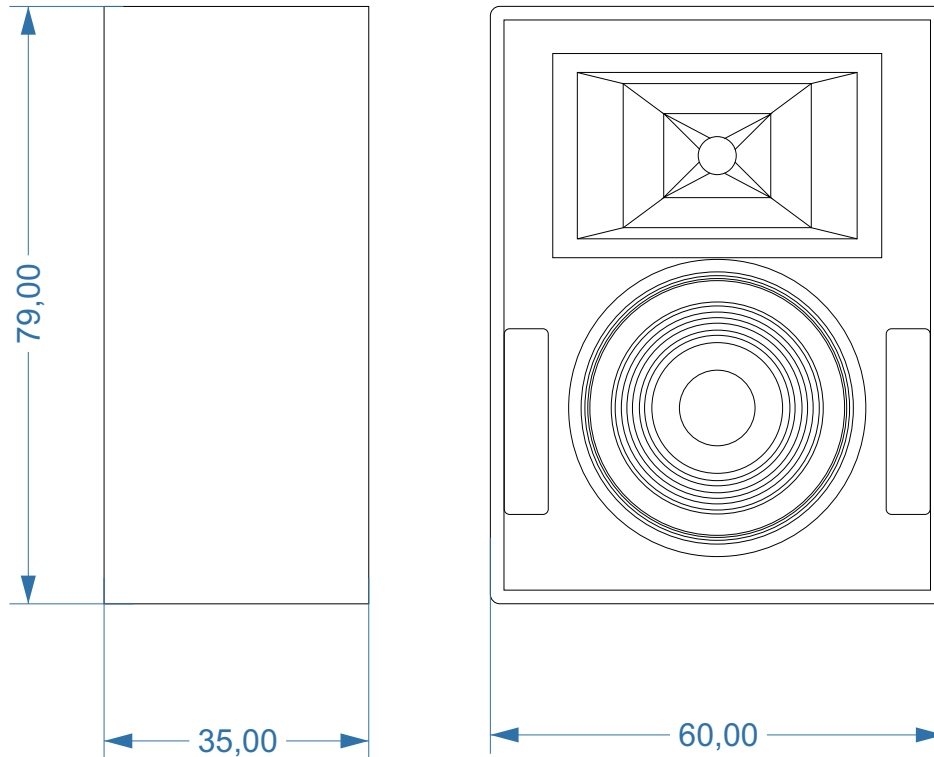
These speaker systems feature one extra-flat reflex technology bass cabinet with one 15" woofer and 4" high frequency compression driver with titanium membrane on 2" 90°X40° constant directivity horn.

TECHNICAL DATA

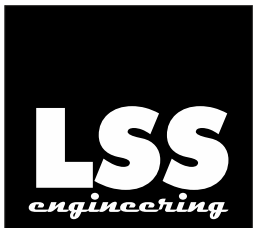
Frequency Range (-10 dB)	40 Hz – 20 kHz
Nominal Impedance	8Ω
POWER CAPACITY	
Nominal Power Handling ⁽¹⁾	LF 1000 W HF 140 W
Continuous Power Handling ⁽²⁾	LF 2000 W HF 280 W
Sensitivity 1W/1m	LF 97 dB S.P.L. HF 110 dB S.P.L.
Crossover Frequency	from 500 Hz Active not included
Horizontal Beamwidth	90°
Vertical Beamwidth	40°
Dimensions (H x W x D)	79 x 60 x 35cm
Net Weight	33 kg

COMPONENTS

Cabinet	18mm Birch PLYWOOD
Woofer 15"	4"(100mm) voice coil
HF Driver 4"	4"(100mm) voice coil
Aluminium Horn	Constant directivity 90°X40°



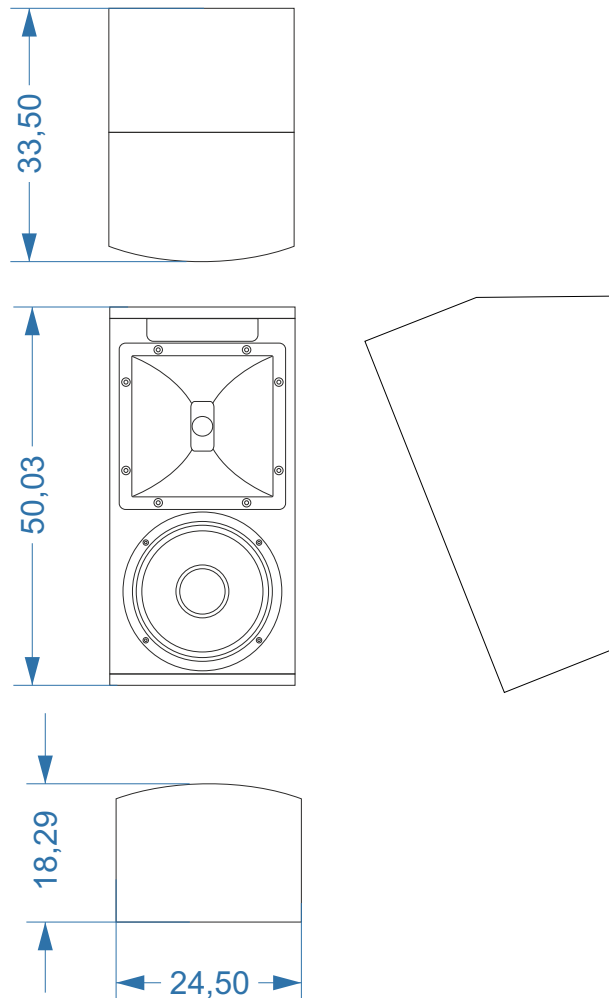
(1) 2 hours test made with continuous pink noise signal within the range Fs-10Fs. Power calculated on rated minimum impedance. Loudspeaker in free air
 (2) Power on Continuous Program is defined as 3 dB greater than the Nominal rating.



SR01

SURROUND CINEMA SYSTEM

Cinema Surround Sound Speaker system especially designed for surround application



LSS SR01 Cinema Surround Speaker offers high power handling with extended bass response dynamic range required for small/medium format cinemas and multi channel surround formats. SR01 is a powerful, 2-way, full range surround comprised of an 8" 200 mm low frequency driver, and a 1" 25mm, voice coil compression driver on 90°x 90°Horn. The cabinet is fitted with M-10 threaded points on the top and on the sides to facilitate U-bracket mounting included. SR01 Surround utilizes a steel grill and black polyuretane foam cover to give a very professional appearance and to provide dust protection.

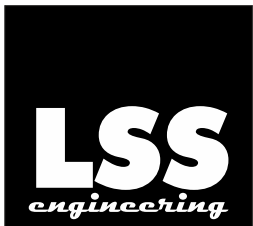
TECHNICAL DATA

Frequency Range (-10 dB)	60 Hz – 20 kHz
Nominal Impedance	8Ω
POWER CAPACITY	
Nominal Power Handling (1)	300 W
Continuous Power Handling(2)	600 W
Sensitivity 1W/1m	96 dB S.P.L.
Crossover Frequency	passive included
Horizontal Beamwidth	90°
Vertical Beamwidth	90°
Dimensions (H x W x D)	50 x 24,5 x 33,5cm
Net Weight	10 kg

COMPONENTS

Cabinet	15mm Birch PLYWOOD
Woofer 8"	2"(50mm) voice coil
HF Driver 1"	1"(25mm) voice coil
Plasctic Horn	Constant ditrectiviy 90°X 90°

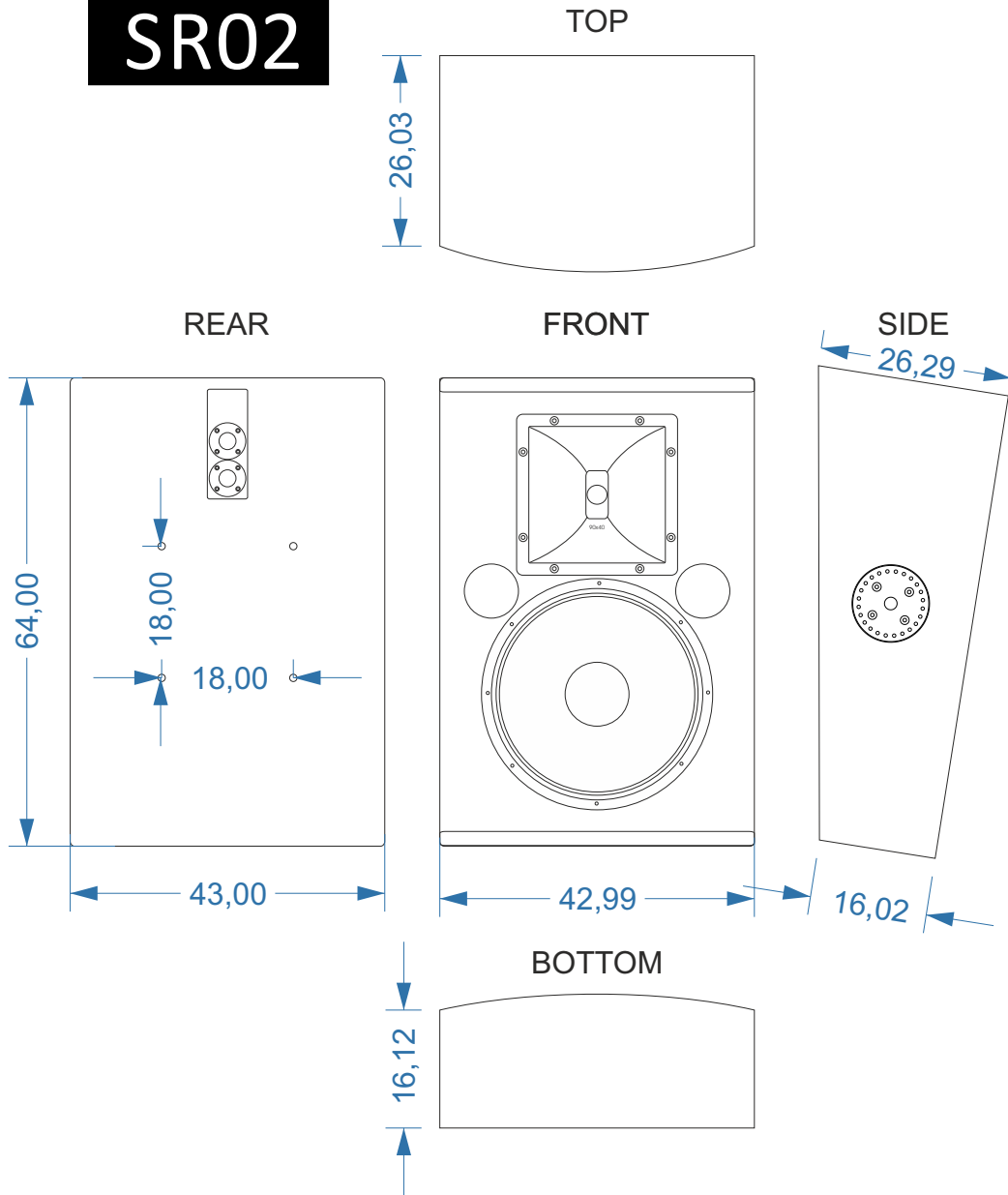
(1) 2 hours test made with continuous pink noise signal within the range Fs-10Fs. Power calculated on rated mininum impedance. Loudspeaker in free air
 (2) Power on Continuous Program is defined as 3 dB greater than the Nominal rating.



SR02

SURROUND CINEMA SYSTEM

Cinema Surround Sound Speaker system especially designed for surround application



LSS SR02 Cinema Surround Speaker offers high power handling with extended bass response dynamic range required for medium/large format cinemas and multi channel surround formats. SR02 is a powerful, 2-way, full range surround comprised of an 12" 320 mm low frequency driver, and a 36mm (1.4") voice coil compression driver on 90°x40°Horn. The cabinet is fitted with M-10 threaded points on the back and graduate plate on the sides to facilitate U-bracket mounting not included. SR02 Surround utilizes a steel grill and black polyuretane foam coverto give a very professional appearance and to provide dust protection.

TECHNICAL DATA

Frequency Range (-10 dB)	50 Hz – 20 kHz
Nominal Impedance	8Ω
POWER CAPACITY	
Nominal Power Handling AES	400 W
Peak Power	1600 W
Sensitivity 1W/1m	98 dB S.P.L.
Crossover Frequency	passive included
Horizontal Beamwidth	90°
Vertical Beamwidth	40°
Dimensions (H x W x D)	64 x 43 x 29cm
Net Weight	18,5 kg

COMPONENTS

Cabinet	15mm Birch PLYWOOD
Woofer 12"	2"(50mm) voice coil
HF Driver 1"	1/4"(36mm) voice coil
Plasctic Horn	Constant ditrectiviy 90°X 40°

